



iBoard® by APS

PART#: IB-233C&H

READ INSTRUCTIONS CAREFULLY BEFORE STARTING INSTALLATION. REMOVE CONTENTS FROM BOX AND VERIFY ALL PARTS ARE PRESENT. ASSISTANCE IS RECOMMENDED.

*ROCKER PANEL MOUNT
*NO DRILLING REQUIRED

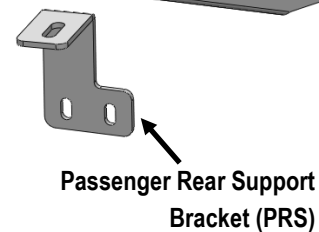
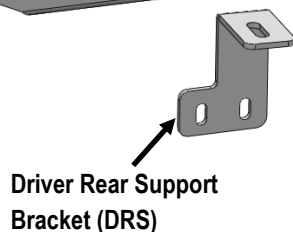
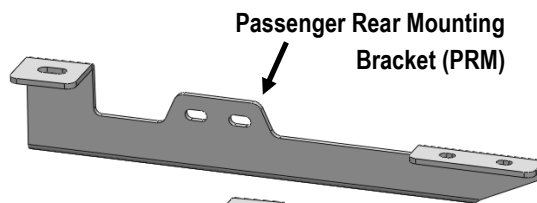
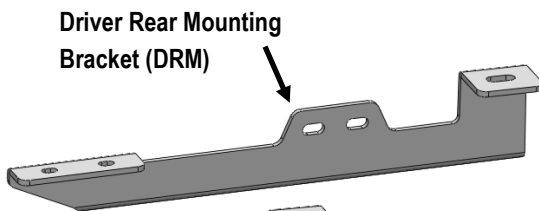
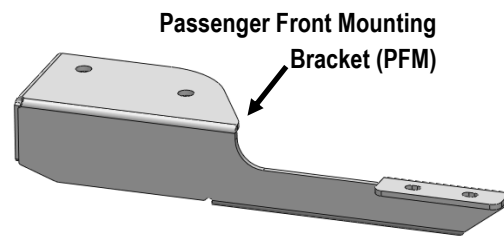
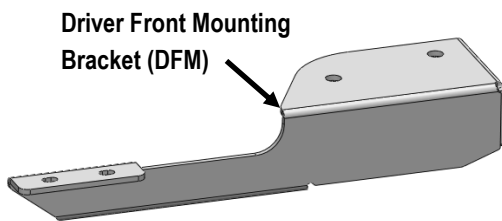
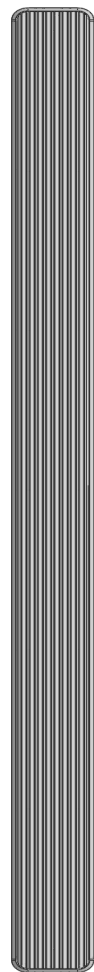
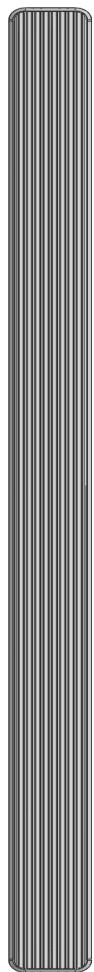
Fastener Size	Tightening Torque (ft-lbs)	Required
6mm	6-7	X
8mm	16-18	√
10mm	31-32	√
12mm	56-58	X
14mm	92-94	X

PART LIST

Driver Side Step Bar

Front
↑

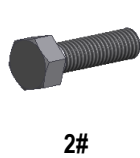
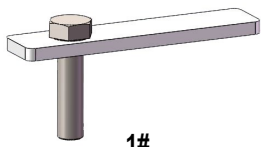
Passenger Side Step Bar





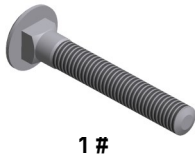
Hardware Package A (For Bracket Installation)

Item	QTY	Description	Item	QTY	Description
1#	8	M10X45 Bolt Plates	4#	8	M10 Flat Washers
2#	4	M10X1.5-30mm Hex Bolts	5#	12	M10 Lock Washers
3#	8	M10 Large Flat Washers	6#	12	M10 Hex Nuts



Hardware Package B (For Stainless Steel Step Bar Installation)

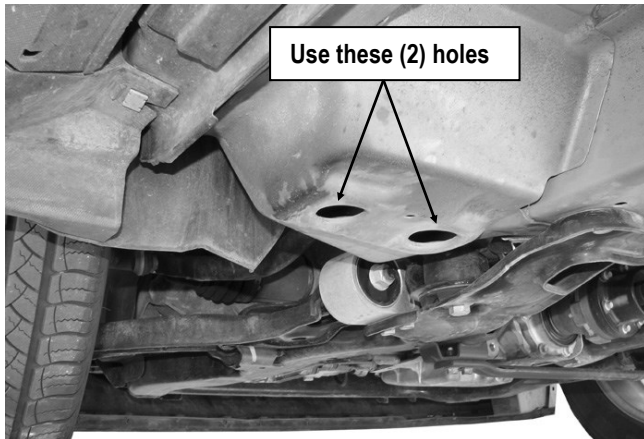
Item	QTY	Description	Item	QTY	Description
1#	8	M8X1.25-35mm Carriage Bolts	3#	8	M8 Nylon Lock Nuts
2#	8	M8 Large Flat Washers	4#	4	Sliders (Packed with Step Bars)





STEP 1

Starting from the driver side front of the vehicle. Locate the (2) large factory holes in the floor panel by the front tires, **(Fig 1)**.

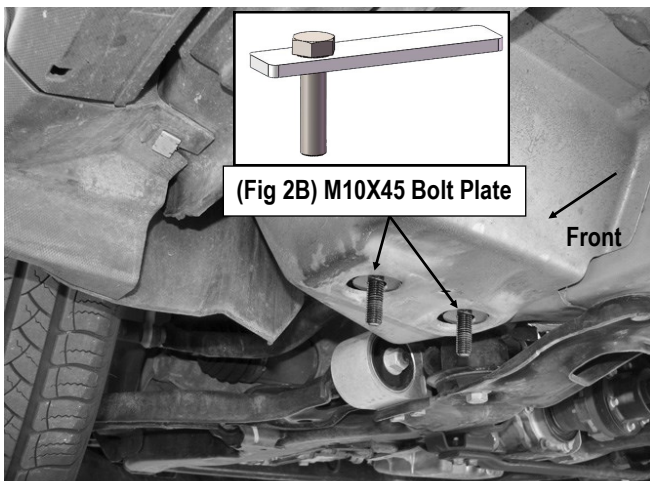


(Fig 1) Driver Side Front Mounting Location

STEP 2

Select (2) M10x45 Bolt Plates. Insert (1) M10x45 Bolt Plate into each of the factory holes, **(Fig 2A)**.

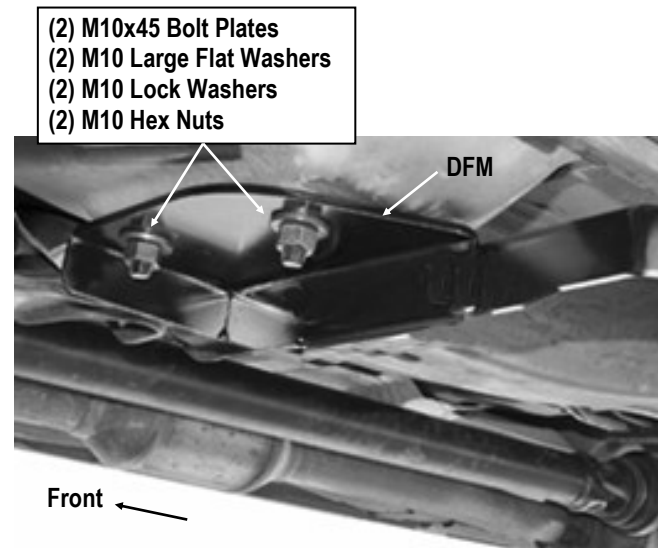
IMPORTANT: Once you have inserted the Bolt Plates, make sure that the welded washer on each Bolt Plate is in the center of the factory hole, **(Figs 2A & 2B)**.



(Fig 2A) M10x45 Bolt Plate Installed
(On Driver Side Front Mounting Location)

STEP 3

Select Driver Front Mounting bracket (**DFM**). Attach it to the installed (2) M10x45 Bolt Plates with (2) M10 Large Flat Washers, (2) M10 Lock Washers and (2) M10 Hex Nuts, **(Fig 3)**. Do not fully tighten hardware at this time.



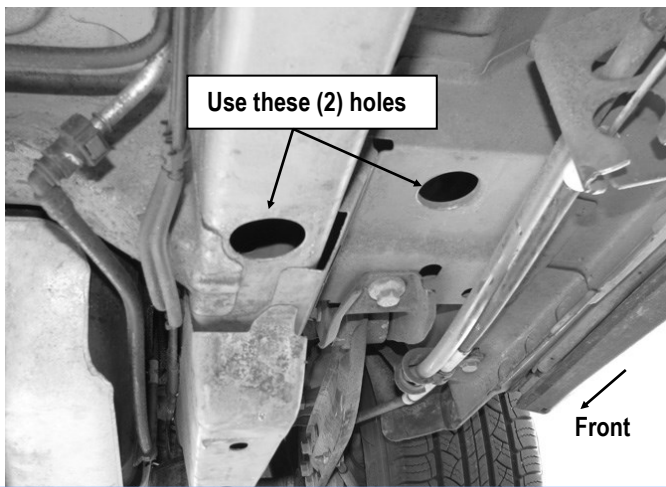
(Fig 3) Driver Side Front Brackets Installed

STEP 4

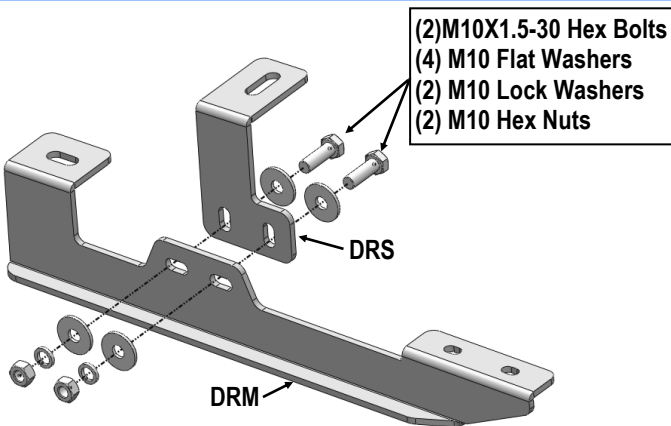
Move to the Driver side rear mounting location, **(Fig 4)**. Locate the large factory holes at the bottom of the suspension mount.

STEP 5

Assemble Driver Rear Mounting Bracket (**DRM**) and Driver Rear Support Bracket (**DRS**) with (2) M10X1.5-30mm Hex Bolts, (4) M10 Flat Washers, (2) M10 Lock Washers and (2) M10 Hex Nuts, **(Fig 5)**. Do not fully tighten hardware at this time.



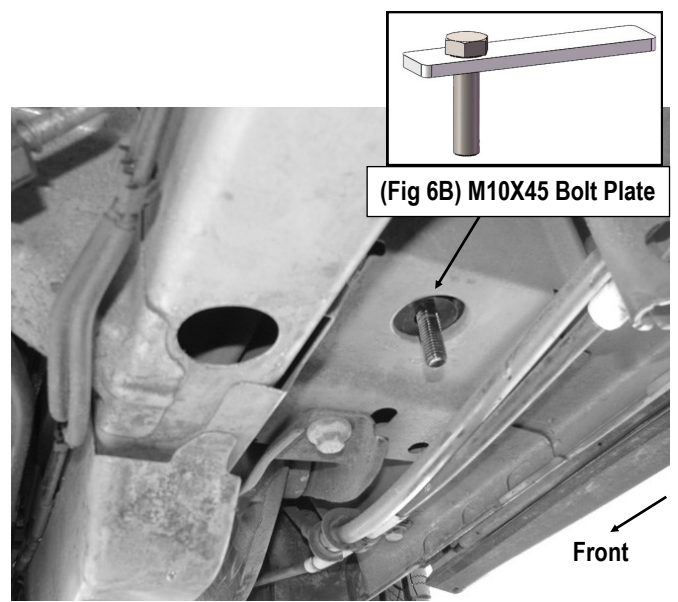
(Fig 4) Driver Side Rear Mounting Location



(Fig 5) Driver Side Rear Brackets Assembly

STEP 6

Insert (1) M10x45 Bolt Plate into the large hole in the suspension mount as described in **Step 3, (Figs 6A & 6B)**. Next, locate the factory hole in the bottom of the inner frame channel. Insert (1) M10x45 Bolt Plate into the hole at the bottom of the frame channel, (**Figs 7A & 7B**).



(Fig 6A) M10x45 Bolt Plate Installed
(On Driver Side Rear Mounting Location)



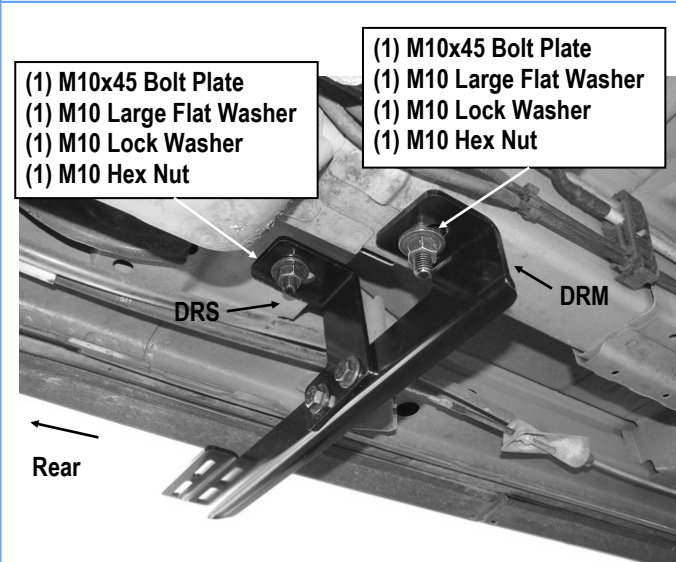
(Fig 7A) M10x45 Bolt Plate Installed
(On Driver Side Rear Mounting Location)



STEP 7

Select the Driver Rear Mounting Bracket (**DRM**) and Driver Rear Support Bracket (**DRS**). Attach the Driver Rear Mounting Bracket (**DRM**) to the installed M10x45 Bolt Plate with (1) M10 Large Flat Washer, (1) M10 Lock Washer and (1) M10 Hex Nut. (**Fig 8**). Do not fully tighten hardware at this time.

Repeat to attach the Driver Rear Support Bracket (**DRS**) to the installed M10x45 Bolt Plate. (**Fig 8**). Do not fully tighten hardware at this time.



(Fig 8) Passenger Side Rear Brackets Installed

STEP 8

Once all (2) Driver side mounting brackets are installed, then proceed to the Step Bar installation. (**Figs 9 & 10**)

(1) Select (1) Slider and (2) M8X1.25-35mm Carriage Bolts;

(2) Install (2) M8X1.25-35mm Carriage Bolts in (1) Slider.

(3) Slide the Slider (with carriage bolts) to the **Step Bar**.

(4) Repeat to install the other (1) slider to the step bar.

(5) Attach the Step Bar (with the Sliders) onto the installed mounting brackets. Position the Sliders to the installed brackets. Secure the Step Bar to the installed Brackets by using (4) M8 Large Flat Washers and (4) M8 Nylon Lock Nuts and (2) Sliders, (**Fig 10**). Do not fully tighten hardware at this time.

Note: The Sliders are packed with the Step Bars.

Level and adjust the Step Bar and fully tighten all hardware. Repeat **Steps 1-8** for the other side Step Bar installation. **The installation is completed!!!**

Attention

Do periodic inspections to the installation to make sure that all hardware is secure and tight.

In order to protect your bars/boards, please use mild soap/non-abrasive products for cleaning only.

