

# iBoard®



Scan for  
Installation Video

## iBoard® by APS

PART#: IB-198/197S/198L C&H

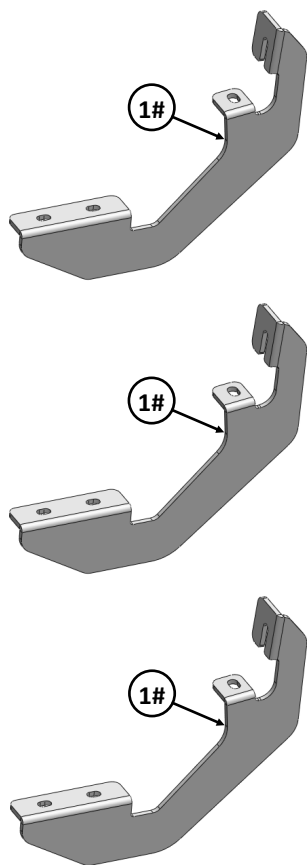
READ INSTRUCTIONS CAREFULLY BEFORE STARTING INSTALLATION. REMOVE CONTENTS FROM BOX AND VERIFY ALL PARTS ARE PRESENT. ASSISTANCE IS RECOMMENDED.

\*ROCKER PANEL MOUNT  
\*NO DRILLING REQUIRED

Fastener Size	Tightening Torque (ft-lbs)	Required
6mm	6-7	X
8mm	16-18	√
10mm	31-32	X
12mm	56-58	X
14mm	92-94	X

### PART LIST

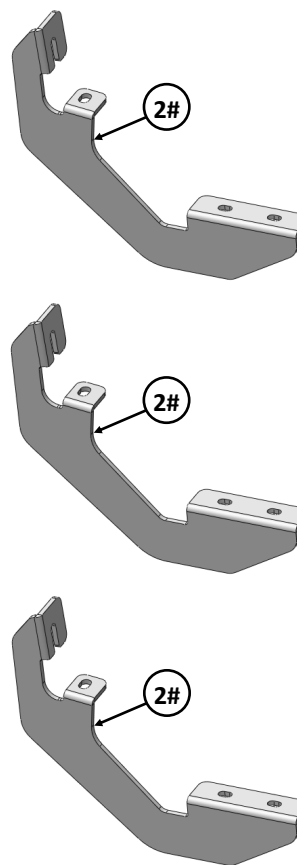
#### Driver Side Step Bar



Front



#### Passenger Side Step Bar




Customer Support: [info@iboardauto.com](mailto:info@iboardauto.com)




Mounting Bracket List					
Item	QTY	Description	Item	QTY	Description
1#	3	Driver Side Mounting Brackets	2#	3	Passenger Side Mounting Brackets


Hardware Package A (For Bracket Installation)					
Item	QTY	Description	Item	QTY	Description
1#	12	M8X1.25-25mm Hex Bolts	3#	12	M8 Lock Washers
2#	12	M8 Large Flat Washers	4#	12	M8 Clip Nuts



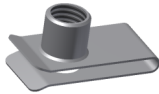
1 #



2 #

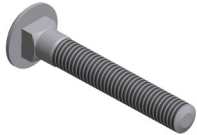


3 #




4 #


Hardware Package B (For Stainless Steel Step Bar Installation)					
Item	QTY	Description	Item	QTY	Description
1#	12	M8X1.25-35mm Carriage Bolts	3#	12	M8 Nylon Lock Nuts
2#	12	M8 Large Flat Washers	4#	6	Sliders (Packed with Step Bars)



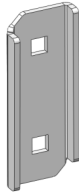
1 #



2 #



3 #



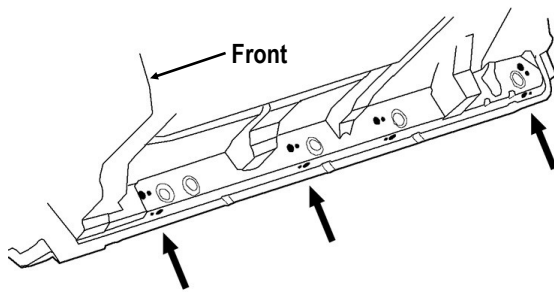
4 #



## STEP 1

Start the installation from passenger side of the vehicle. Locate the passenger mounting locations along the bottom and inner side of the body panel, (Fig 1).

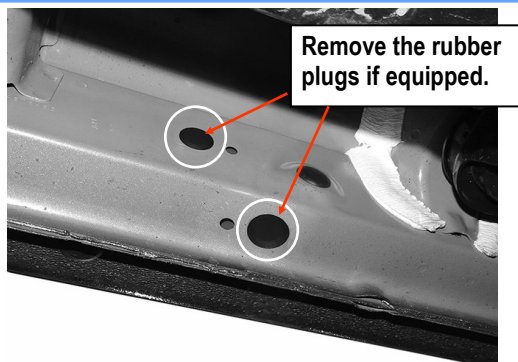
**NOTE:** It may help to identify the mounting holes to hold a Bracket up in place along the body panel



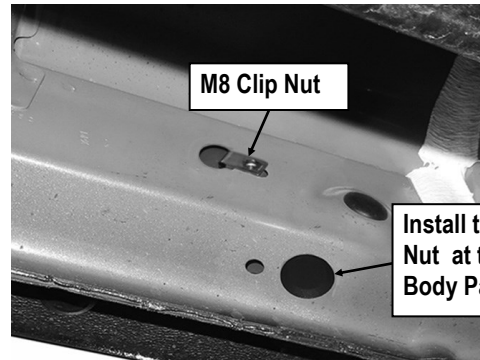
(Fig 1) Passenger Side Mounting Locations  
(Along Bottom And Inner Of the Body Panel)

## STEP 2

Remove rubber plugs as necessary from the holes on the inner and bottom of the body panel, (Fig 2). Select (1) M8 Clip Nut. Slide the M8 Clip Nut into the large hole and line up threaded nut on the M8 Clip Nut with smaller hole beside the large hole on the inner of body panel, (Fig 3). Repeat to install (1) M8 Clip Nut in the bottom mounting location, (Fig 3).



(Fig 2) Remove Plugs From Mounting Locations If Equipped



(Fig 3) M8 Clip Nut Installation

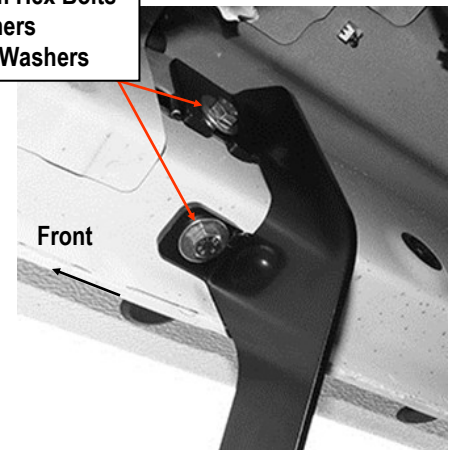
## STEP 3

Select (1) Passenger Front Mounting Bracket. Attach the Bracket to the Installed (2) M8 Clip Nuts with (2) M8X1.25-25mm Hex Bolts, (2) M8 Lock Washers and (2) M8 Flat Washers, (Fig 4). Snug but do not fully tighten the hardware.

Repeat **Steps 2—3** to install Passenger Center & Rear Mounting Bracket, (Fig 5 & 6).

**Note:** All (3) Passenger Side Mounting Brackets are universal.

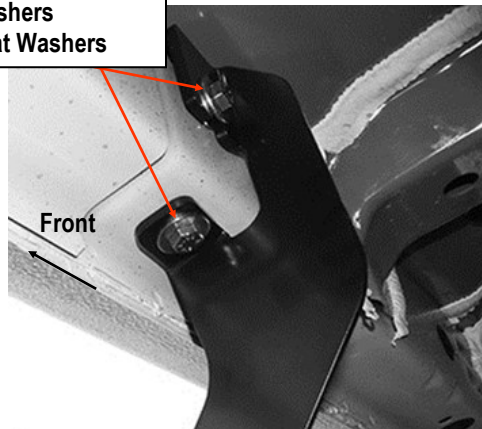
- (2) M8X1.25-25mm Hex Bolts
- (2) M8 Lock Washers
- (2) M8 Large Flat Washers



(Fig 4) Passenger Front Mounting Bracket Installation

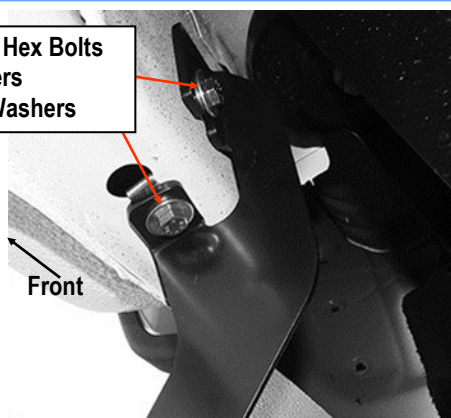


- (2) M8X1.25-25mm Hex Bolts
- (2) M8 Lock Washers
- (2) M8 Large Flat Washers



(Fig 5) Passenger Center Mounting Bracket Installation

- (2) M8X1.25-25mm Hex Bolts
- (2) M8 Lock Washers
- (2) M8 Large Flat Washers



(Fig 6) Passenger Rear Mounting Bracket Installation

## STEP 4

Once all (3) Passenger side mounting brackets are installed, then proceed to the Step Bar installation. (Figs 7 & 8)

(1) Select (1) Slider and (2) M8X1.25-35mm Carriage Bolts;

(2) Install (2) M8X1.25-35mm Carriage Bolts in (1) Slider.

(3) Slide the Slider (with carriage bolts) to the **Step Bar**.

(4) Repeat to install the other (2) sliders to the step bar.

(5) Attach the Step Bar (with the Sliders) onto the installed mounting brackets. Position the Sliders to the installed brackets. Secure the Step Bar to the installed Brackets by using (6) M8 Large Flat Washers and (6) M8 Nylon Lock Nuts and (3) Sliders, (Fig 8). Do not fully tighten hardware at this time.

**Note:** The Sliders are packed with the Step Bars.

Level and adjust the Step Bar and fully tighten all hardware.

Repeat **Steps 1-4** for the other side Step Bar installation. **The installation is completed!!!**

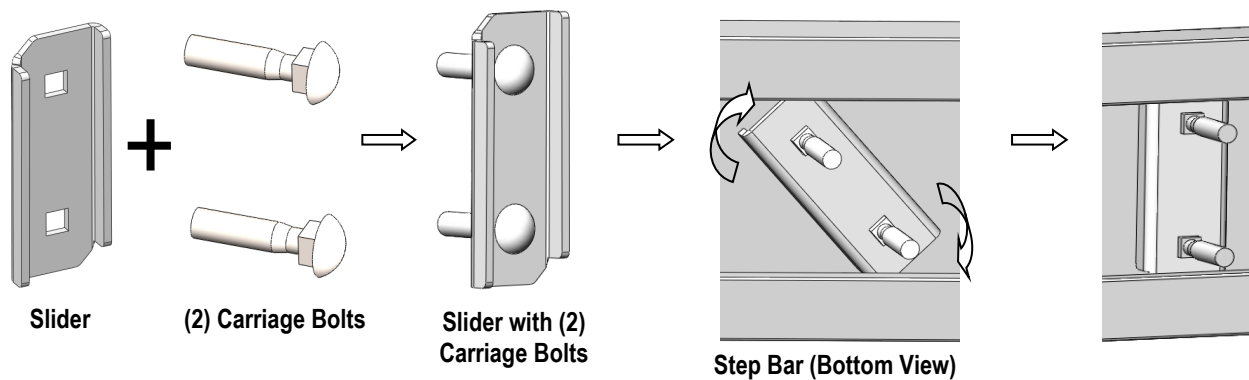
### Attention

**Do periodic inspections to the installation to make sure that all hardware is secure and tight.**

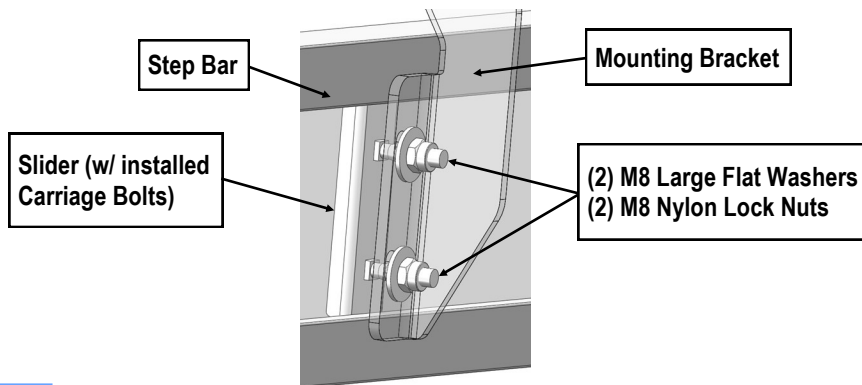
**In order to protect your bars/boards, please use mild soap/non-abrasive products for cleaning only.**



Scan for  
Installation Video



(Fig 7) Slider Installation



(Fig 8) Step Bar Installation